

Increasing productivity with Interactive Dynamic Drawing Composition workflows in MicroStation

John Frampton
Product Manager – MicroStation and PowerDraft

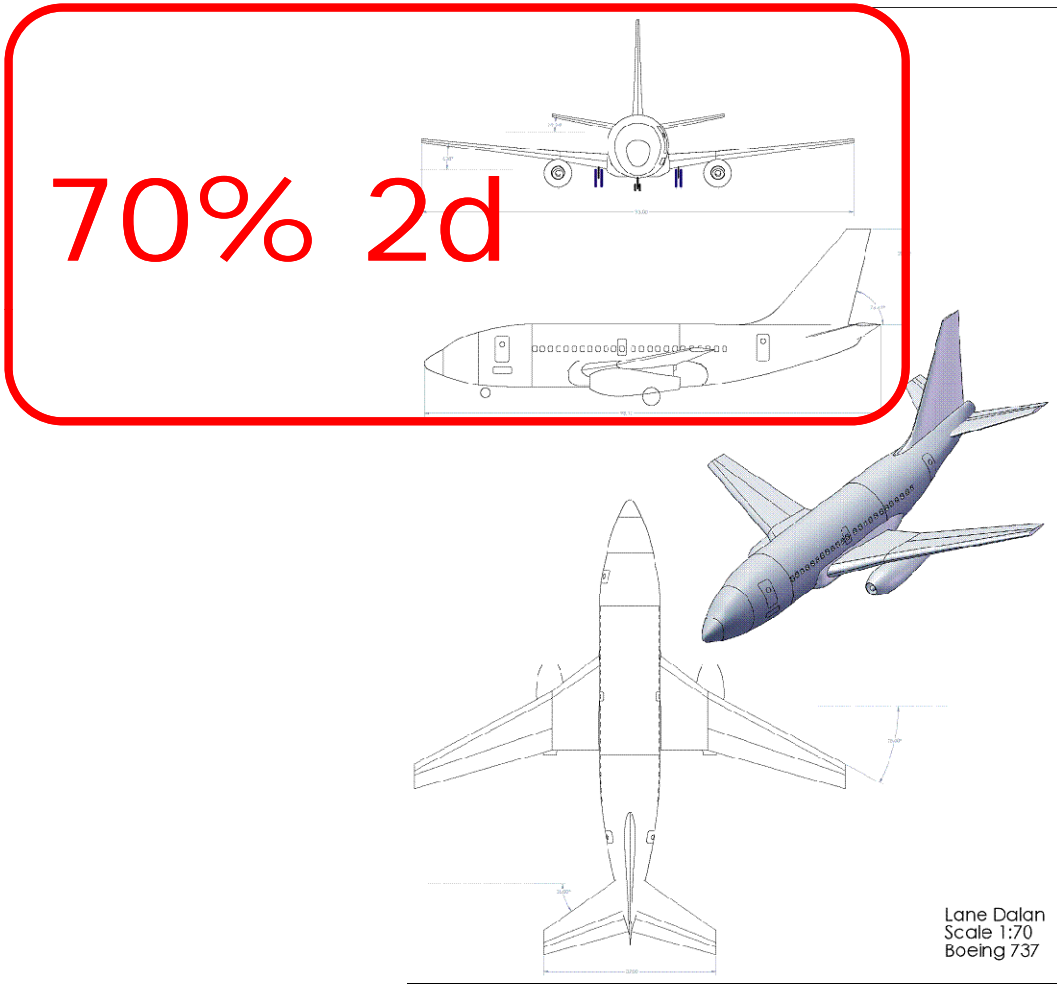


Interactive Dynamic Views in V8i

- Why? - Some Background Context
- MicroStation V8i New Value
 - Dynamically Change Model Views to Remove Clutter
 - Simplify the 3D Modeling Experience
 - Automate and Synchronize Drawing and Model Updates
- Summary

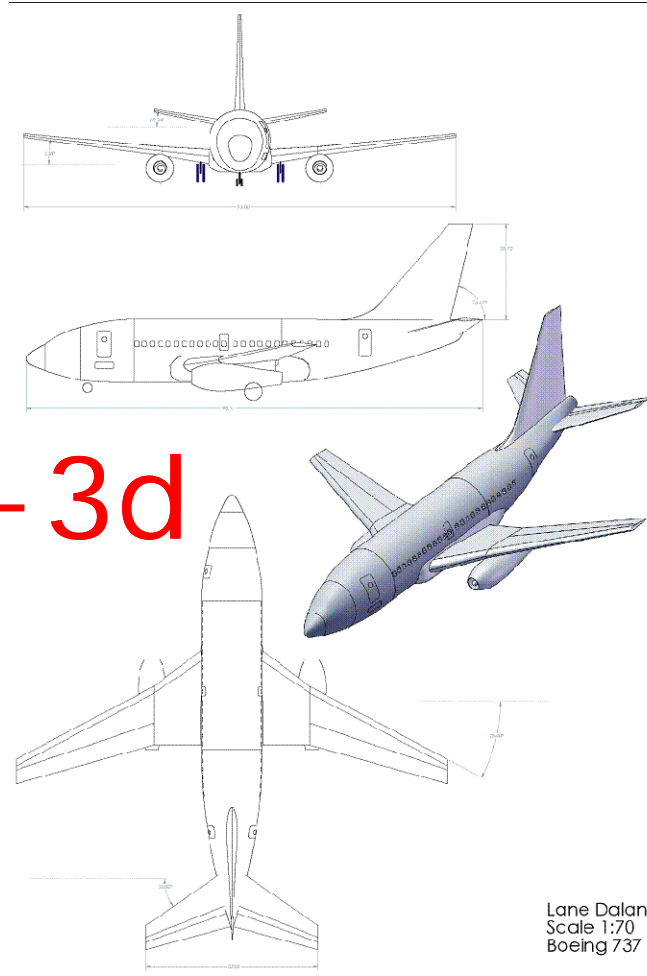
Why Make Views Dynamic?

Why Make Views Dynamic?

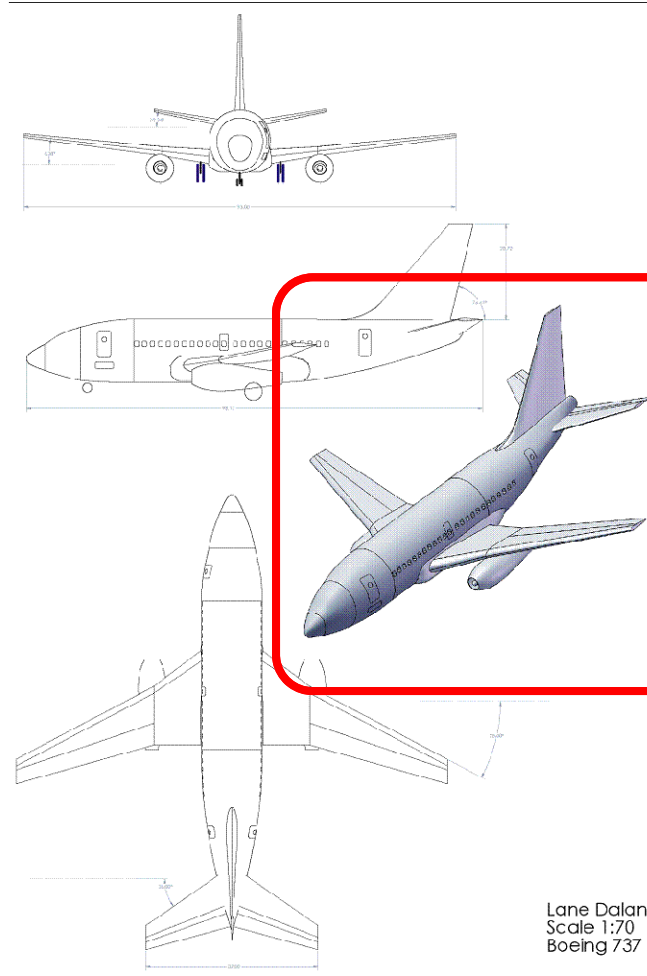


Why Make Views Dynamic?

24% 2d+3d



Why Make Views Dynamic?



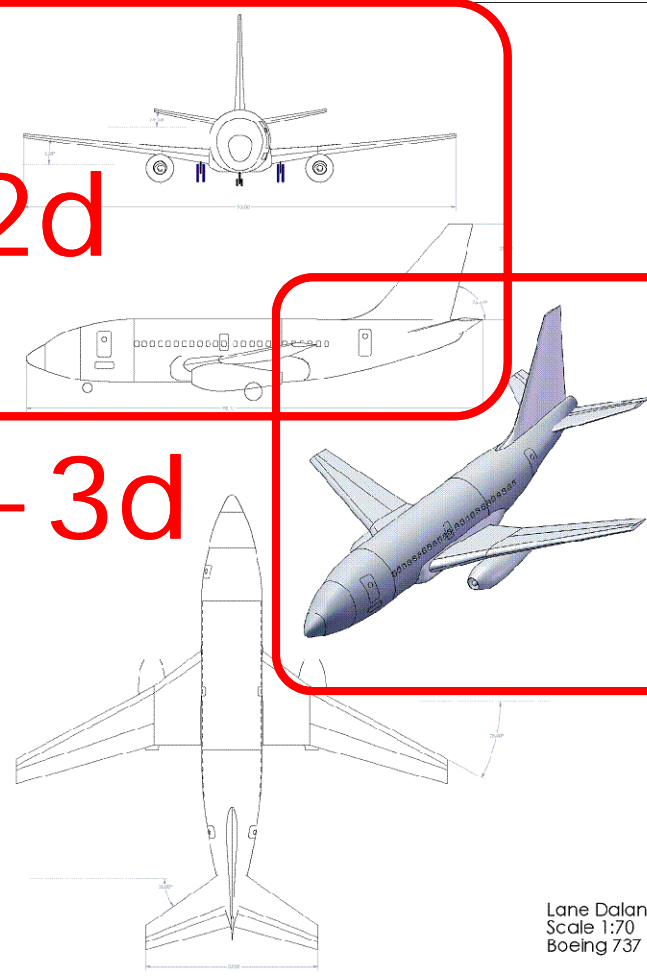
6% 3d

Why Make Views Dynamic?

70% 2d

24% 2d+3d

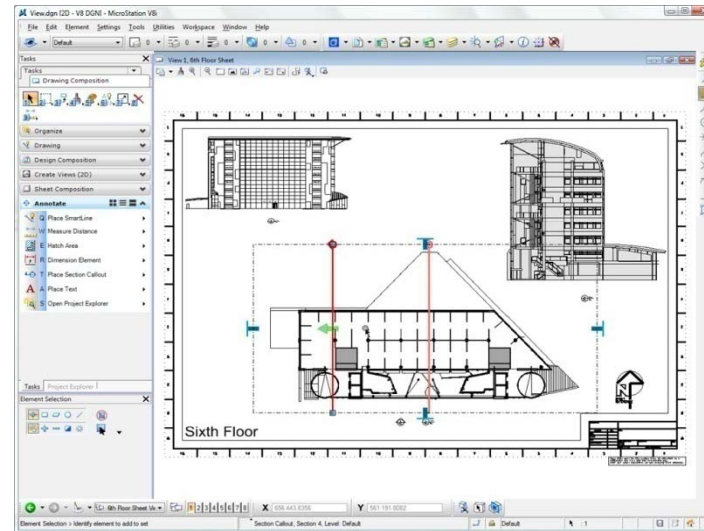
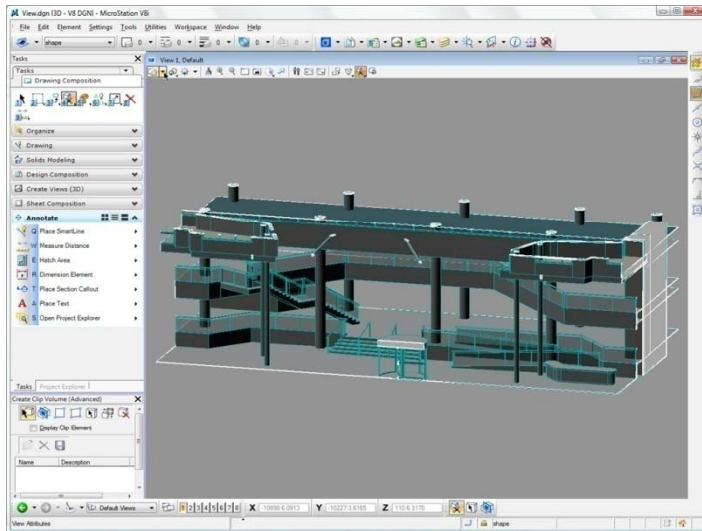
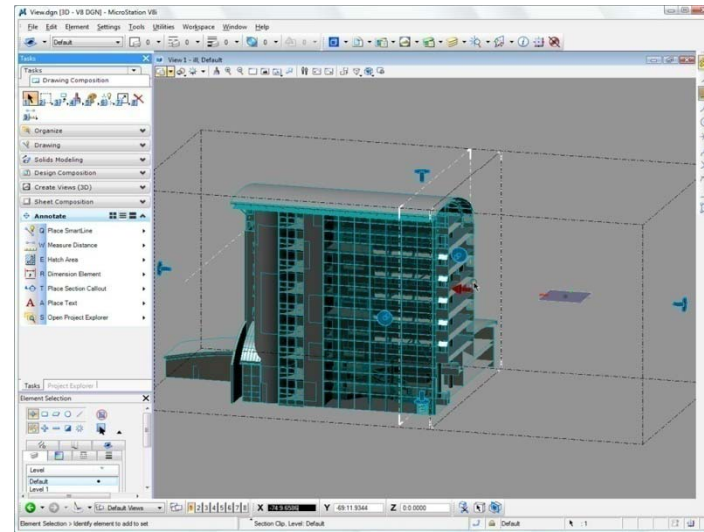
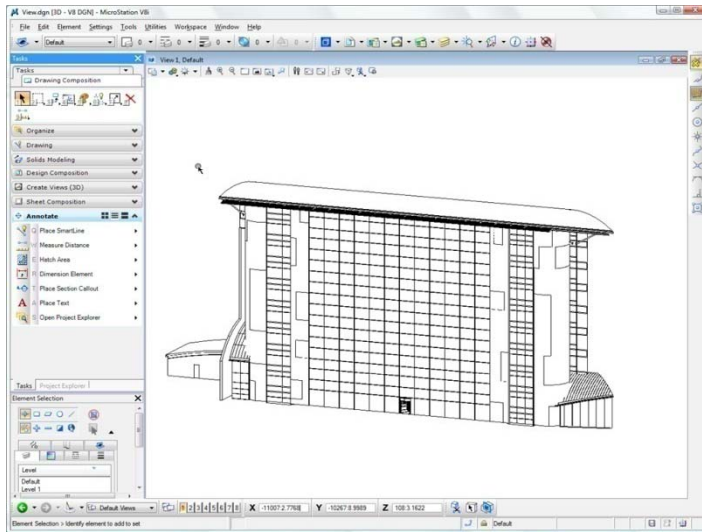
6% 3d



Users Asked for Help To...

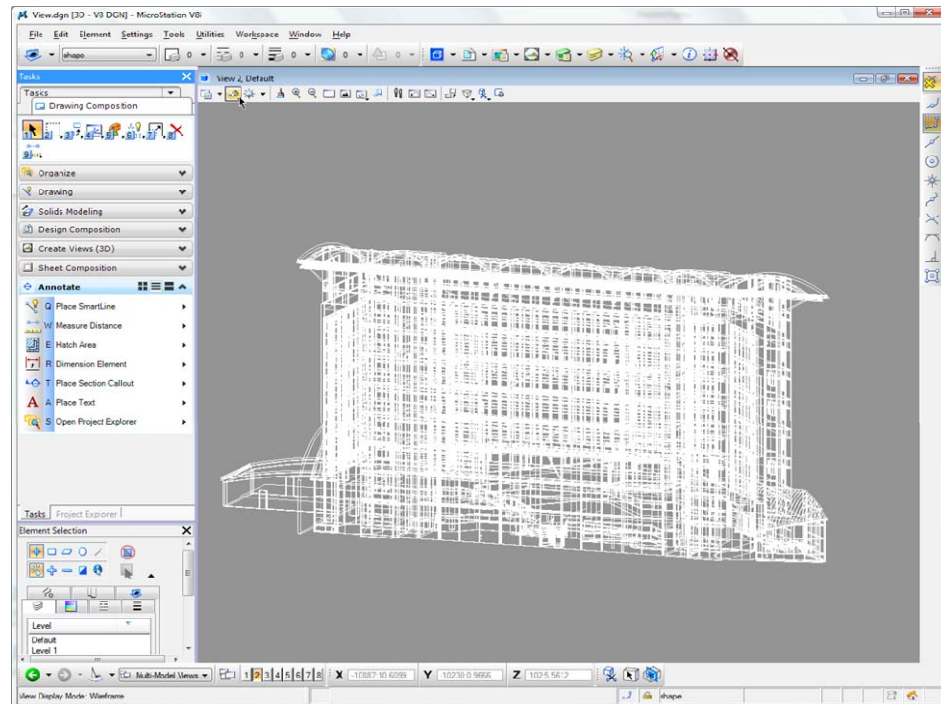
- Simplify the 3d modeling process
- Migrate easily to a hybrid 2d/3d world
- Remove clutter from view on screen
- Isolate parts of a complex model
- Streamline 2d drawing production workflows
- Automate drawing and model updates

MicroStation Dynamic Views

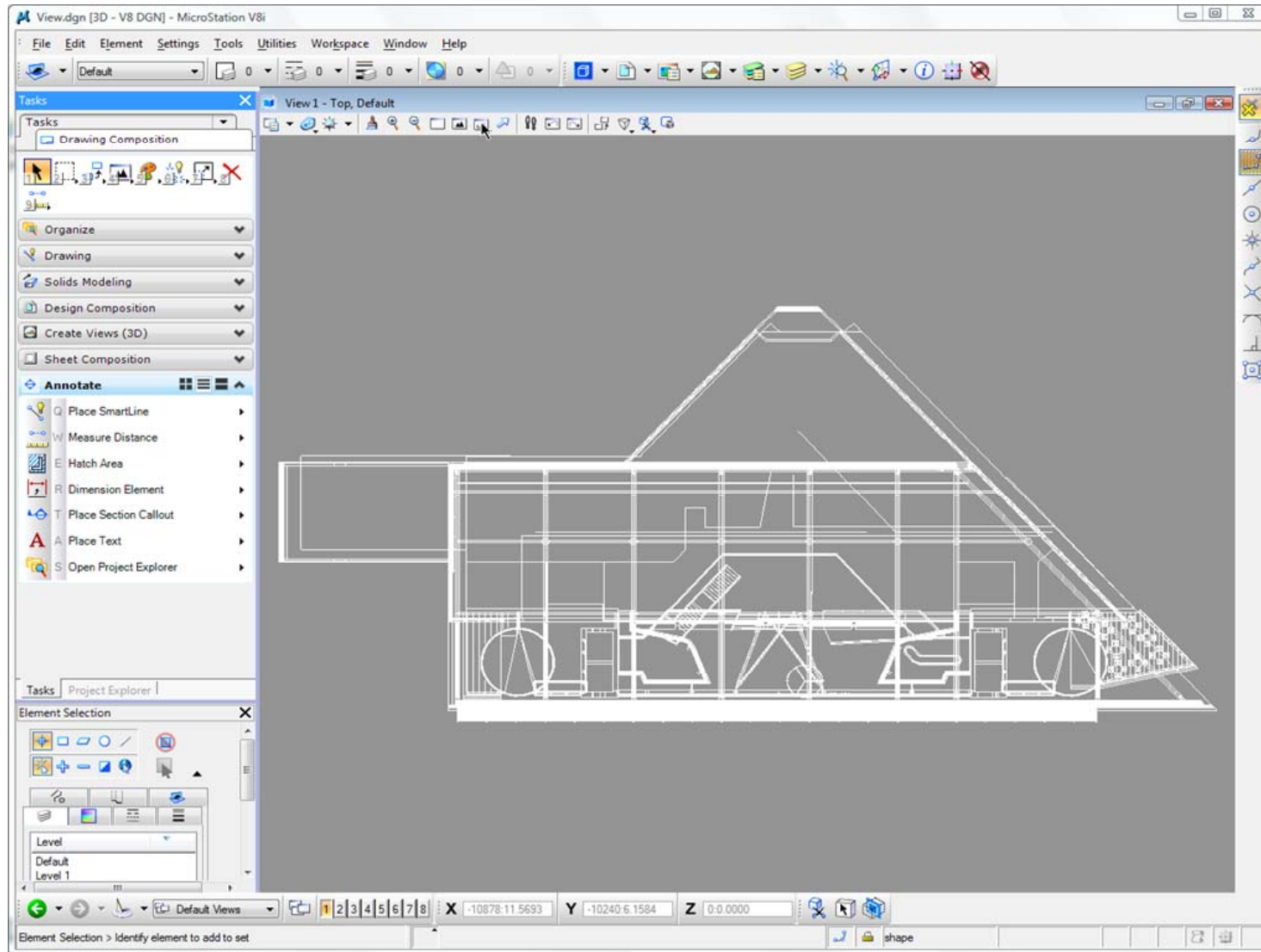


Without Interactive View Settings...

- Complexity...
 - Cluttered view
 - Lack of clarity
- Paralysis = Can't...
 - Make decisions
 - See model details
- Need to...
 - Peel back surfaces

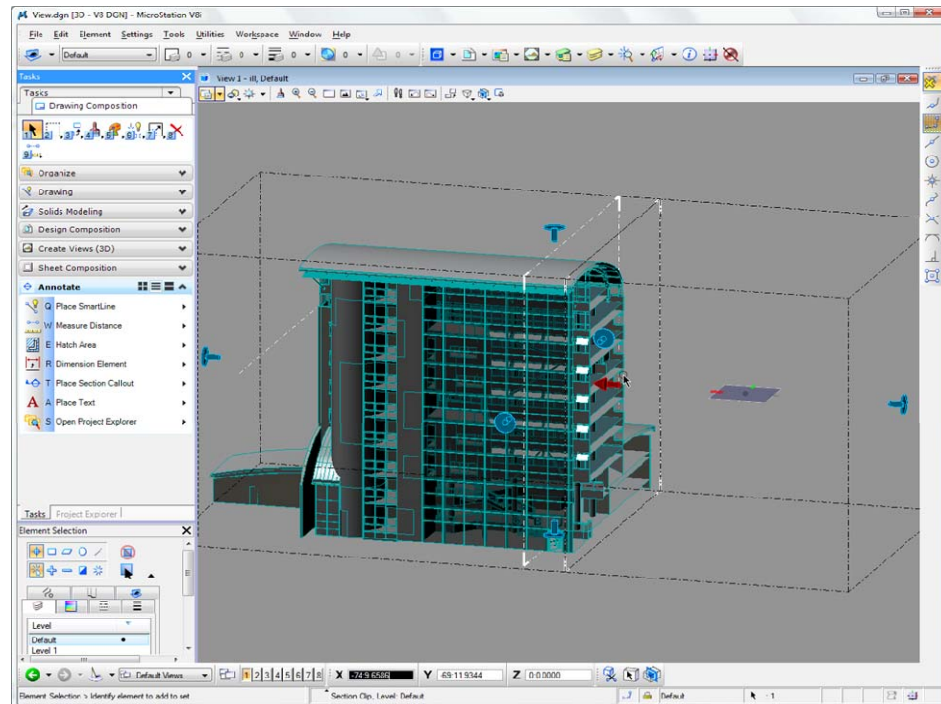


Interactive View Settings



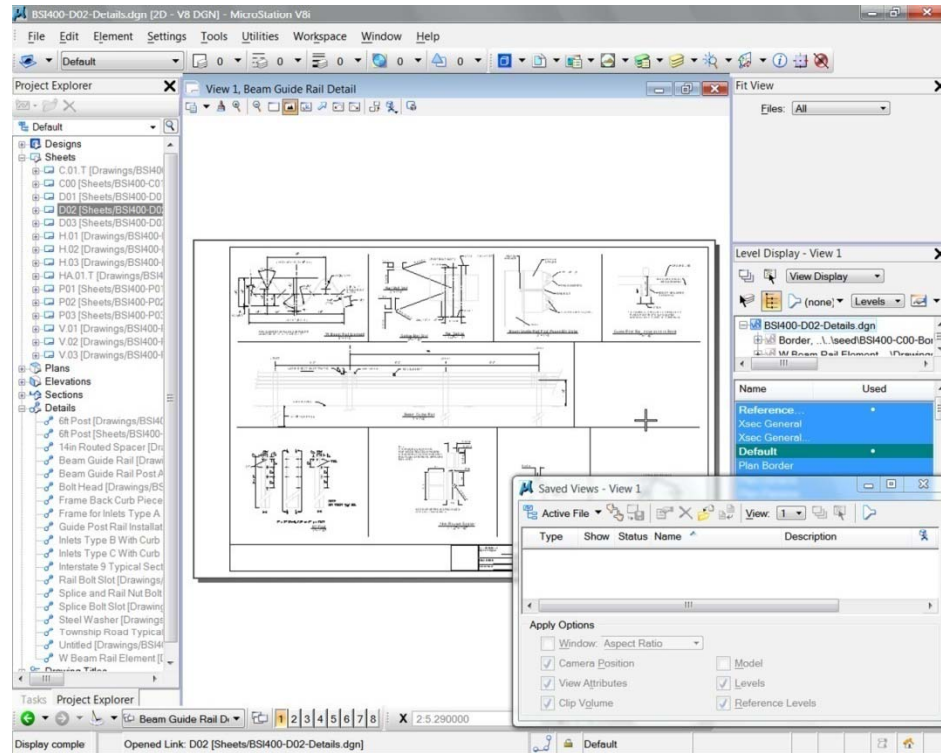
With Interactive View Settings in V8i...

- Streamlined
 - Modeling Process
 - View Interactions
- Improved
 - Quality of decisions
 - Quality of Design

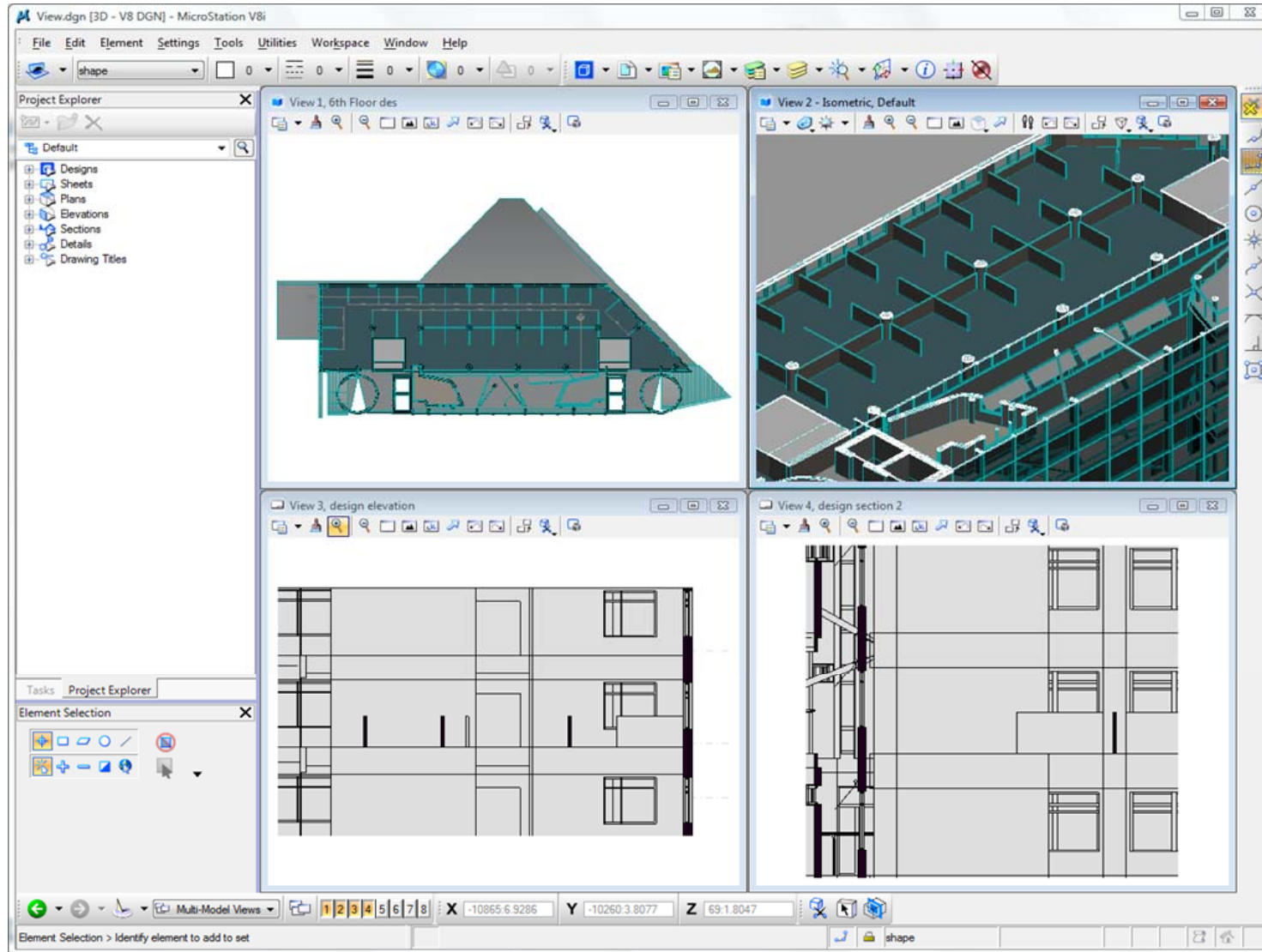


Without Simplified 3D Experience...

- Not Experienced...
 - 2D most common
 - 3D uncomfortable
- Hard to get...
 - Manpower
 - User support
- Need...
 - Hybrid 2d/3d environment

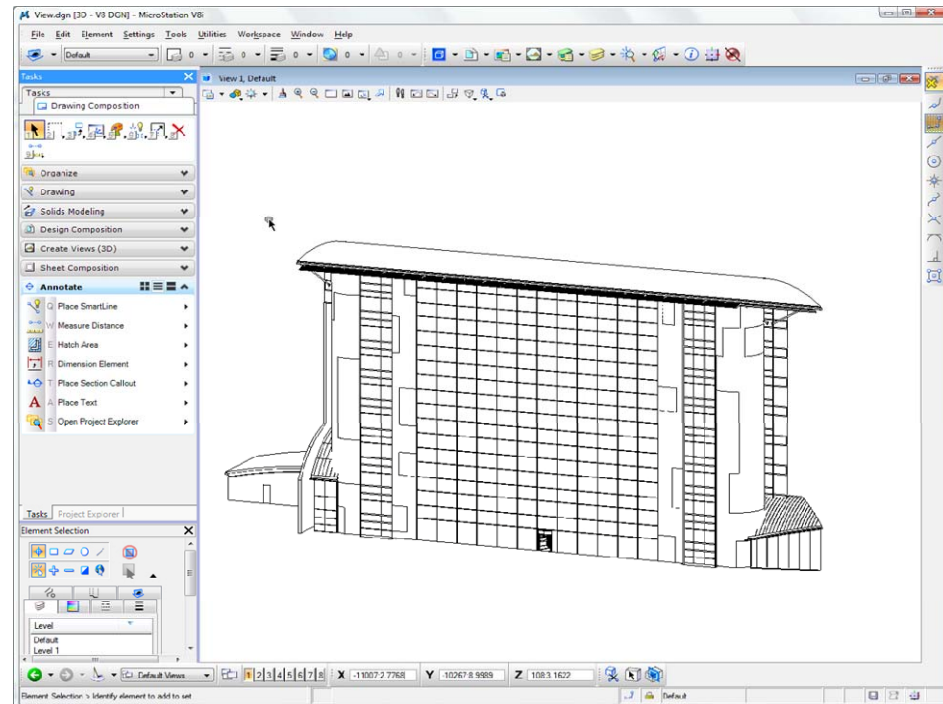


Simplified 3d Modeling Experience



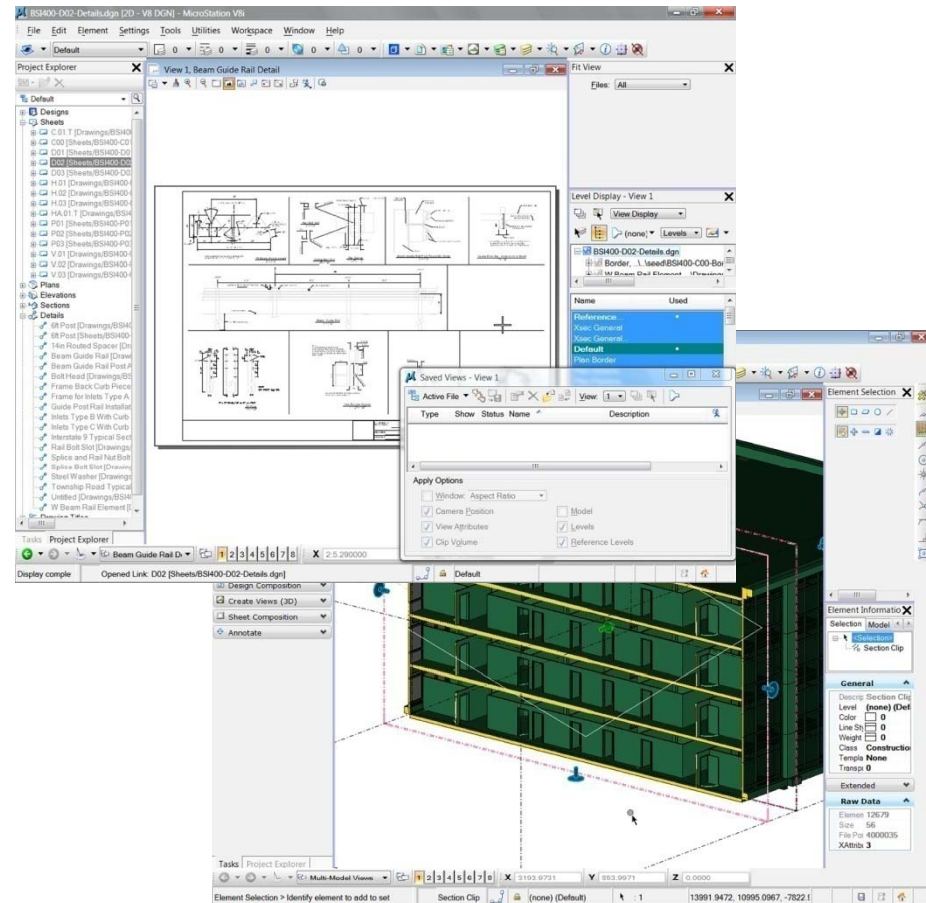
With Simplified 3D Experience in V8i...

- Streamlined
 - Work in 2d or
 - 3D interactively
- Save Time
 - Automatic updates
 - Faster adoption
- Improve Quality
 - Model as you draw

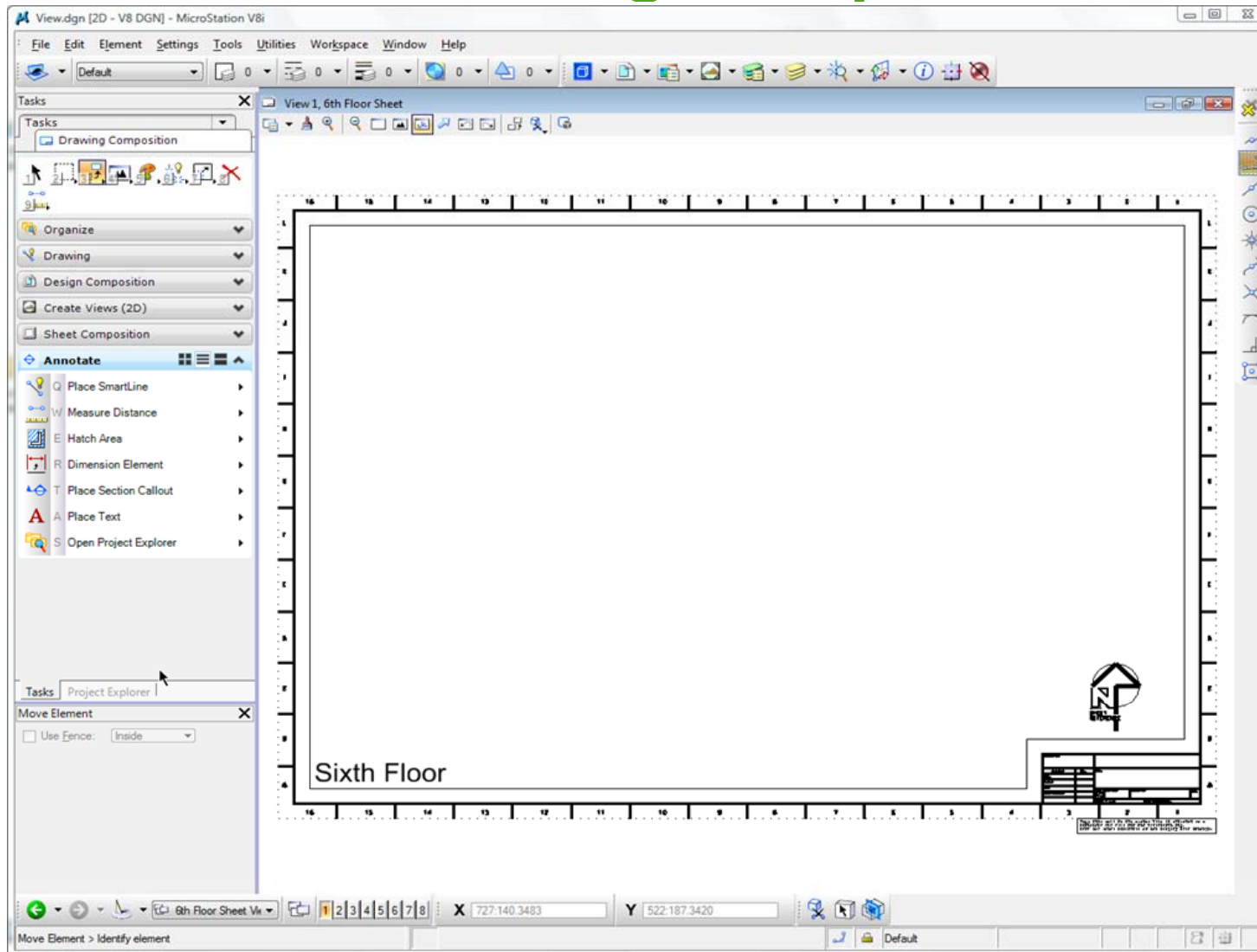


Without Interactive Drawing Composition

- No Synchronization
 - 2d and 3d errors
 - Teams “cut and run”
- Adverse effect...
 - Drawings out of sync
 - Untrustworthy data
- Need to...
 - Connect and sync models and drawings automatically

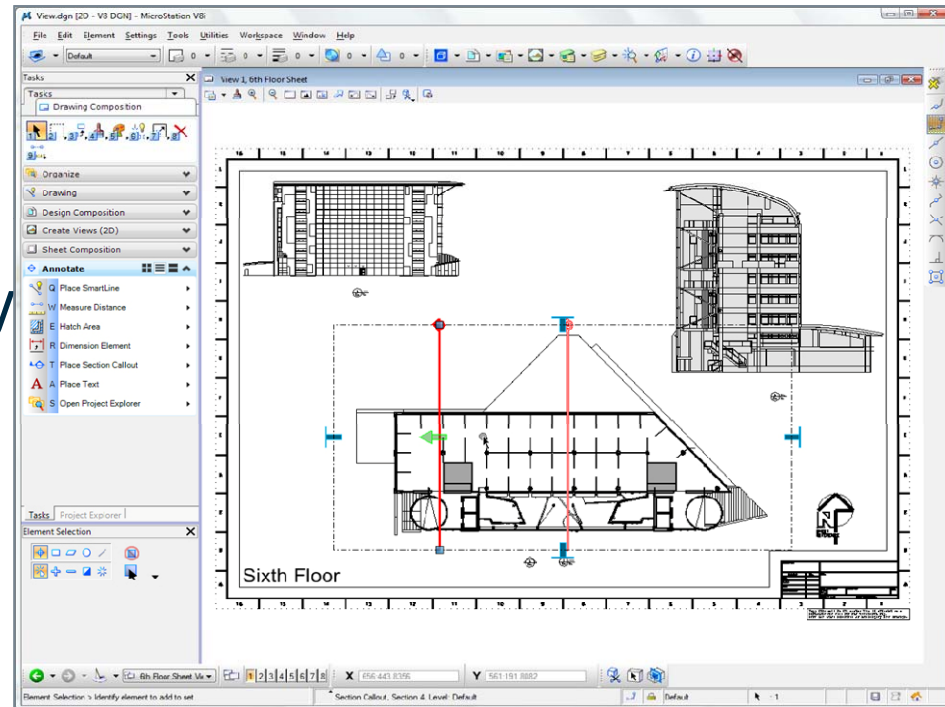


Interactive Drawing Comp



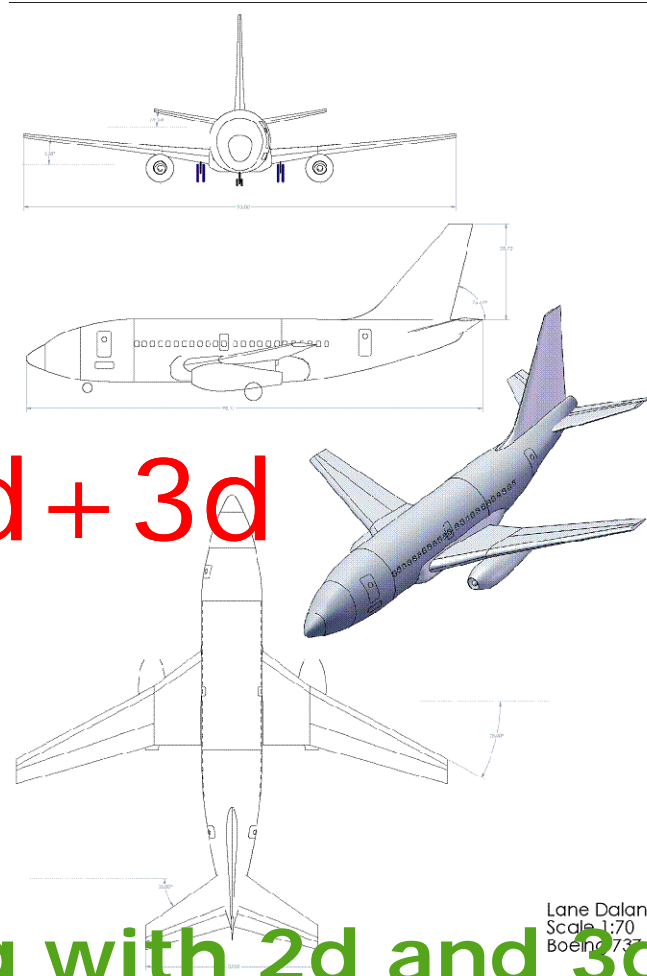
With Interactive Drawing Comp in V8i...

- Improved Process
 - Synchronized data
 - Reliable dataset
- Save Time + Money
 - Eliminate rework
 - Reduce errors



With MicroStation V8i...

100% 2d+3d



...working with 2d and 3d is simplified



http://communities.bentley.com/

Be Communities

Hello, John Frampton | [Sign out](#) | [Help](#) | [Messages \(0\)](#)

[COMMUNITIES](#) | [MEMBERS](#) | [FORUMS](#) | [WIKI](#) | [BLOGS](#) | [RESOURCES](#) | [YOUR ACCOUNT](#) | [Go To BENTLEY.COM](#)

Welcome to BE Communities!

POPULAR

- ★ [Gain Insight from Be MVPs](#)
- [Be User Group Blog](#)
- [Luxology Rendering Engine](#)
- [AskInga Community](#)
- [MicroStation Forums](#)

TOOLS

[Getting Started with Be Communities](#)

FEATURED

Be Connected
Online Seminar Series

[BROWSE SEMINARS](#)

Register for Be Connected

Registration is now open for the Be Connected online seminar series, featuring best practices and product information for Bentley users and others interested in learning more about Bentley solutions and products. Be Connected provides free desktop access to the latest information about Bentley solutions and products for infrastructure professionals. [Register now.](#)

COMMUNITIES

Join a community and network with other professionals and Bentley colleagues who specialize in your field of interest. Simply browse the [Communities](#) tab, find your community, and click "Join Now."

Solutions Communities

Get started with a solution community and share in best practices, ideas, and content among professionals working in these areas.



Mark Penn's Blog

Automatic Hatching / Patterning in Dynamic Views ★★★★★

THIS BLOG

BE Together

- Bentley Systems today announced Be Together: The Be Communities 'Live' Conference. The inaugural event will take place May 17-20, 2010, at the Pennsylvania Convention Center in Philadelphia.

Over the next several months, Bentley will be conducting a campaign, through online surveys, that affords participants an opportunity to shape the priorities for Bentley's new event and win prizes at the same time. The campaign will solicit ideas and suggestions from the members of [Be Communities](#), as well as from [Bentley User Groups](#), to ensure the inaugural *Be Together: The Be Communities 'Live' Conference* is an innovative and enlightening experience for all attendees.

Thank you !!!

